

## INSTALL INSTRUCTIONS C-TTB-CV HALF SIZE TRUNK TRAY 1995-2008 FORD CROWN VICTORIA

**TOOLS REQUIRED:**

Ratcheting wrench  
Sockets - 7/16", #10, #8

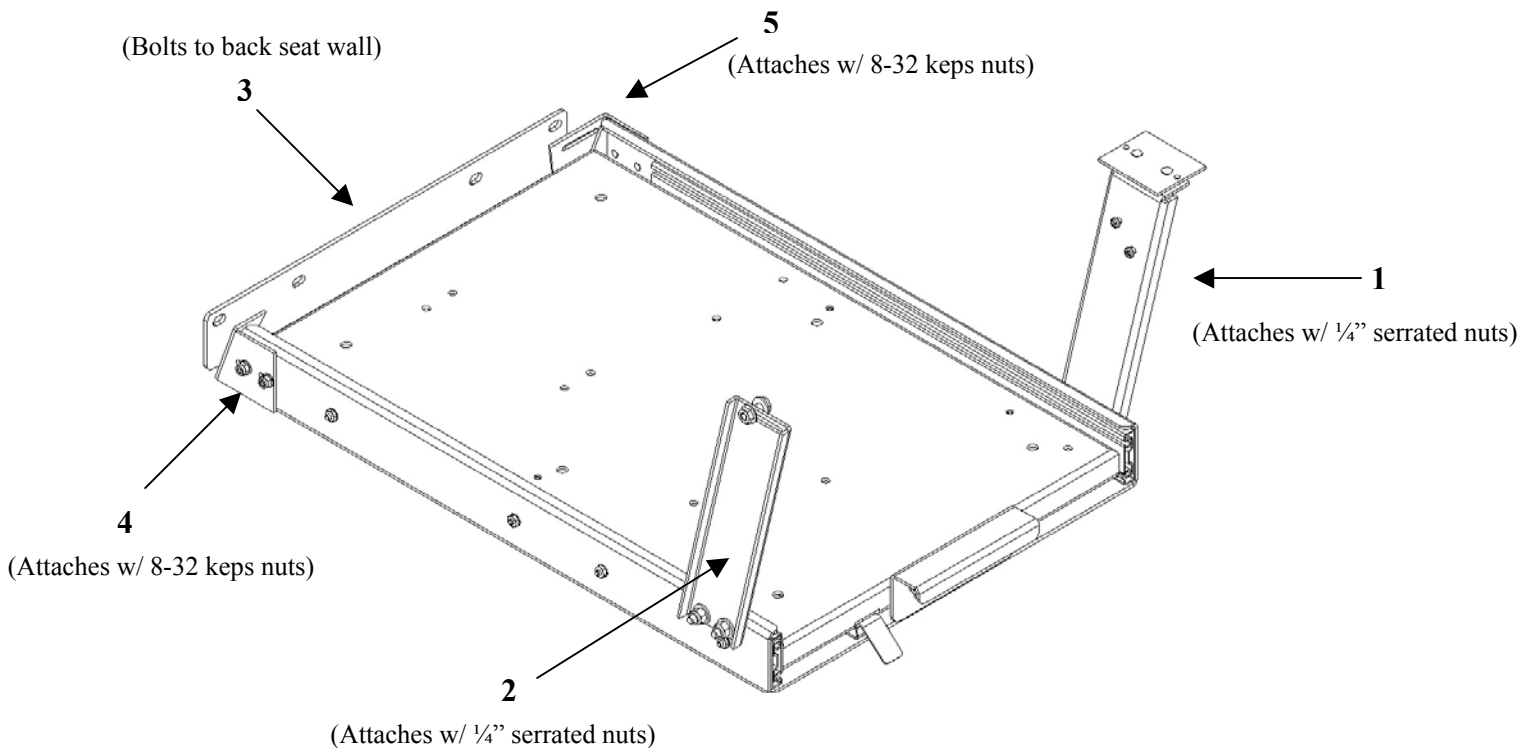
Screwdriver set  
Wrench – 7/16"

**HARDWARE:**

ITEM#	QTY	DESCRIPTION	PART #
1	1	Passenger side front foot	S-1-000958
2	1	Driver side front foot	S-1-000959
3	1	Support plate	S-1-000964
4	1	Driver side rear foot	S-1-TA001HBS1-006A
5	1	Passenger side rear foot	S-1-TA001HBS1-006B
	11	1/4" Flat washer	GSM31005
	11	1/4" Serrated nut	GSM30023
	5	1/4" x 3/4" Hex head bolt	GSM33001
	4	8-32 Keps nut	GSM30027

**Always!**

- Read all instructions before installing any Havis-Shields Equipment Corp products.
- Check for obstructions (Wire, brake lines, fuel tank, etc.) before drilling any holes!
- Use hardware provided with install kit



**INSTALL INSTRUCTIONS: (refer to drawing on previous page)**

1. Remove spare tire and jack from trunk.
2. Slide tray into the top shelf of the trunk.
3. Loosely attach (items #1 & 2) front mounting feet to the tray, using 1/4" x 3/4" Hex head bolts, washers, and nylock nuts.
4. Loosely attach front mounting feet to the vehicle, using 1/4" x 1" Hex head bolts, washers, and nylock nuts.
5. Loosely attach (items #4 & 5) driver/passenger side rear mounting feet to the tray, using 1/4" x 3/4" Hex head bolts, washers, and nylock nuts.
6. Loosely attach (items #4 & 5) driver/passenger side rear mounting feet to the vehicle, using 1/4" x 1" Hex head bolts, washers, and nylock nuts.
7. Check to see if tray opens and closes smoothly.
8. Tighten all hardware.

